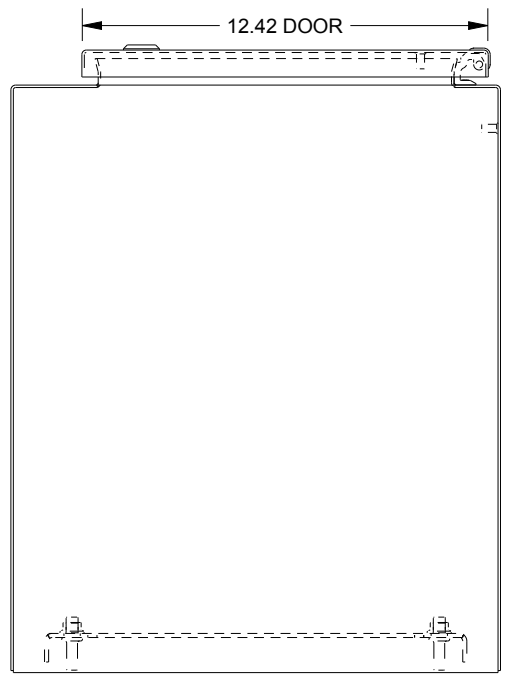
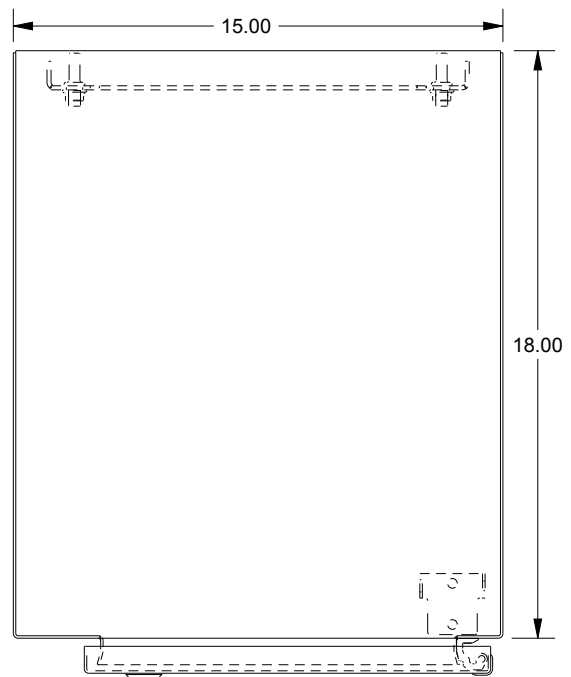


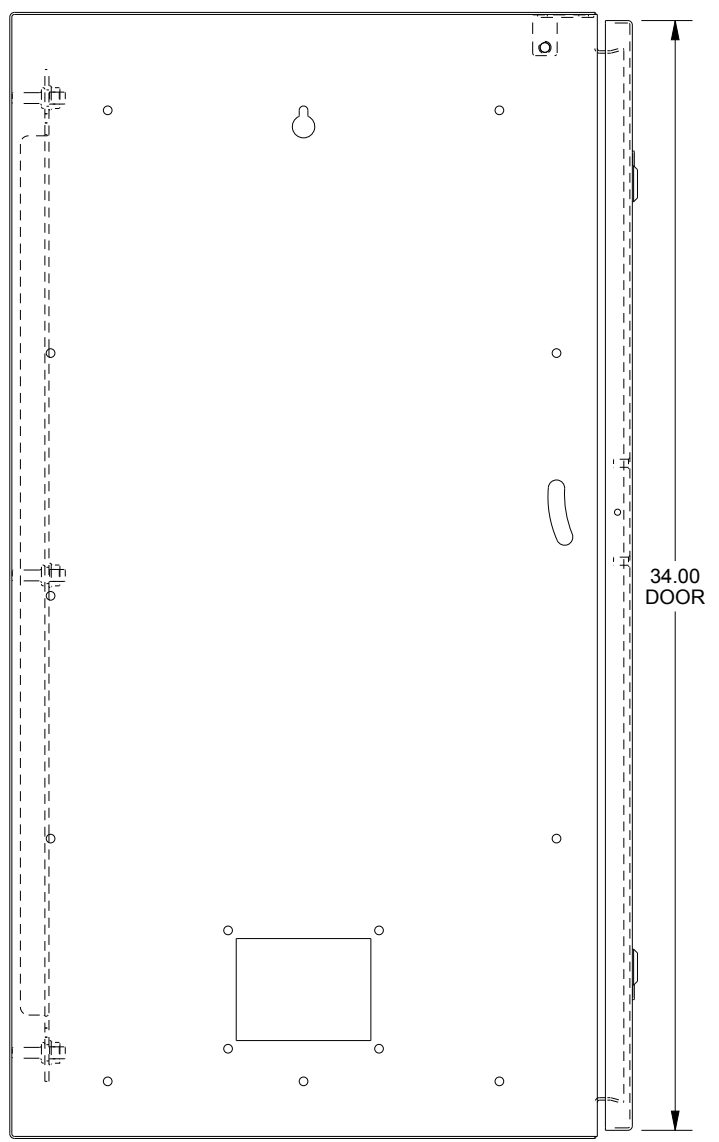
SAGINAW CONTROL & ENGINEERING SCE-EXD18SS



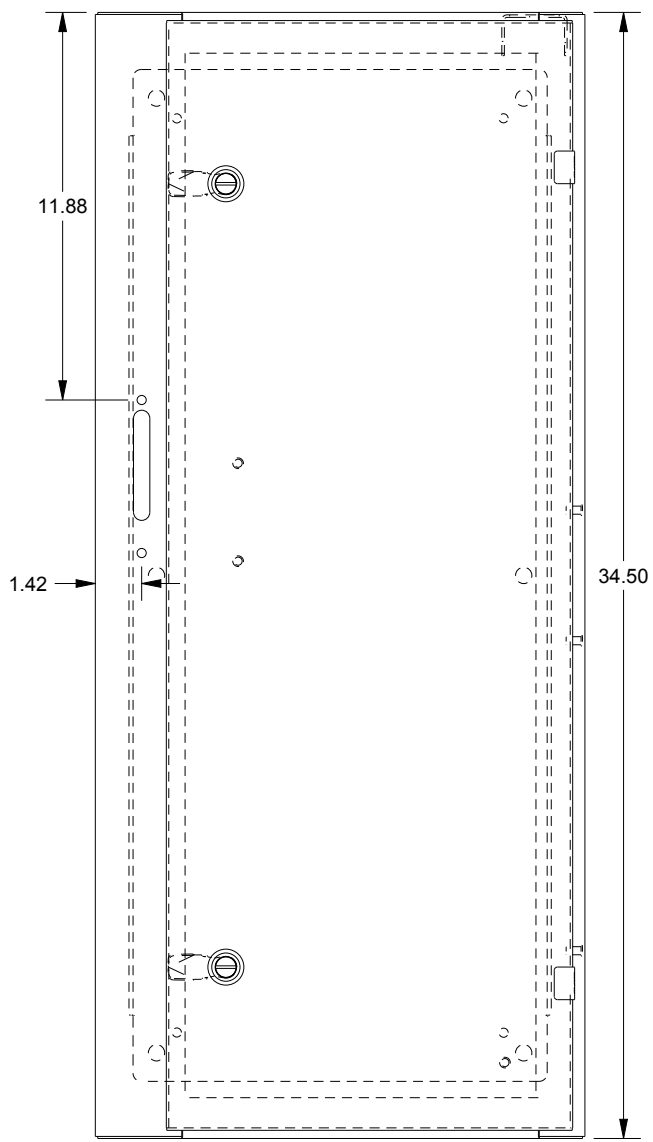
BOTTOM VIEW



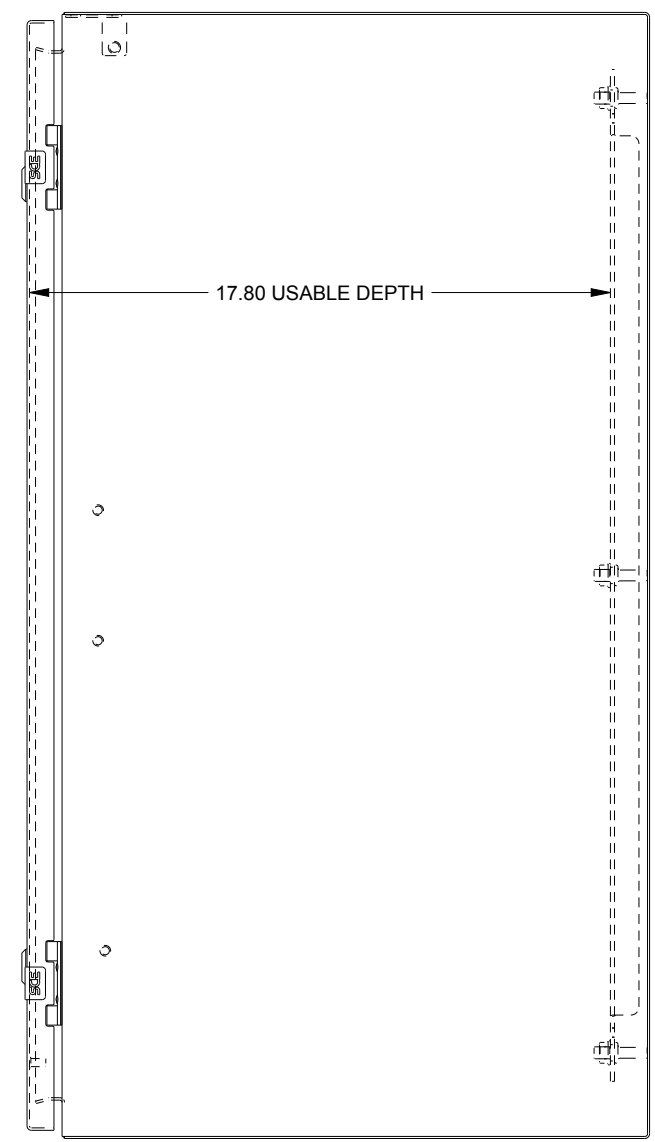
TOP VIEW



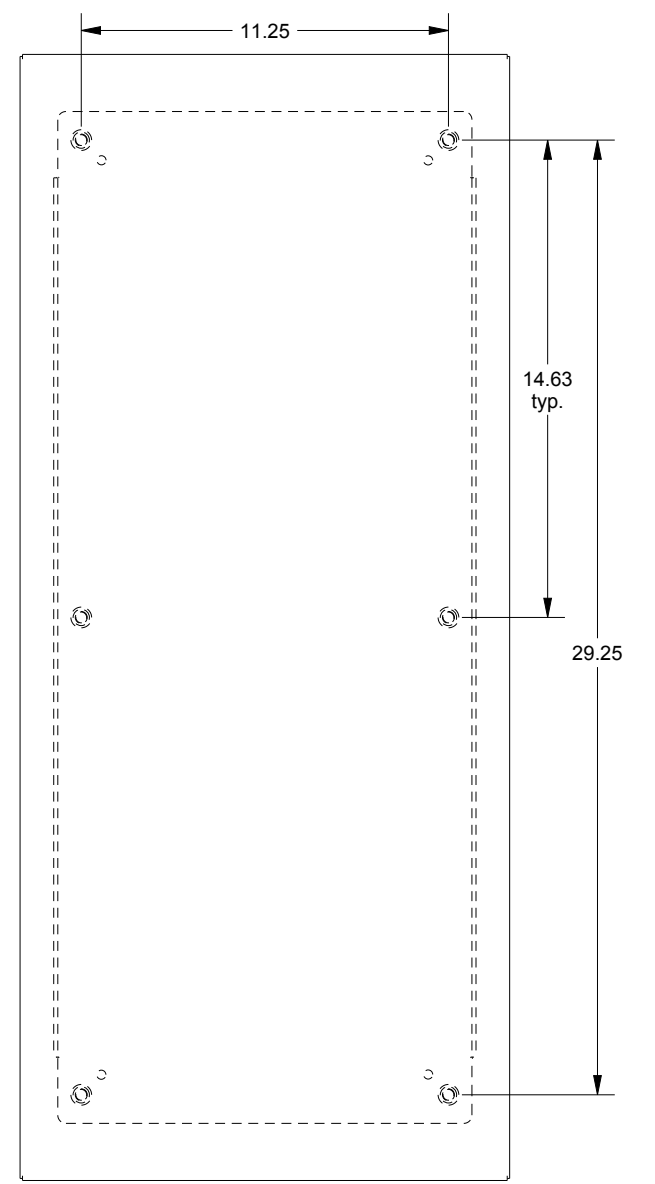
LEFT SIDE VIEW



FRONT VIEW



RIGHT SIDE VIEW



EXTERNAL REAR VIEW